

DGAB Series

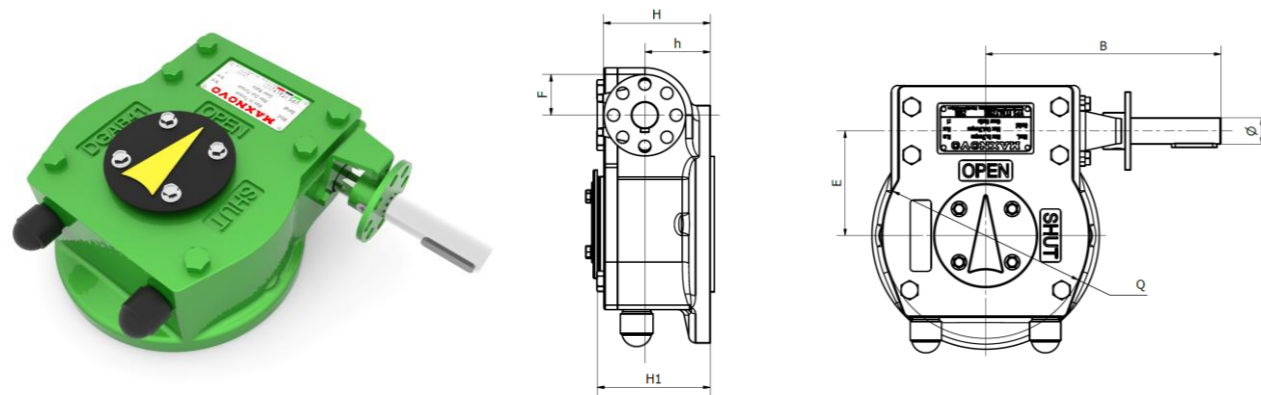
Quarter Turn Gearbox

Heavy-duty part-turn gearboxes suitable for ball, butterfly, plug valves serving oil & gas, water, power, chemical and demanding industrial application.

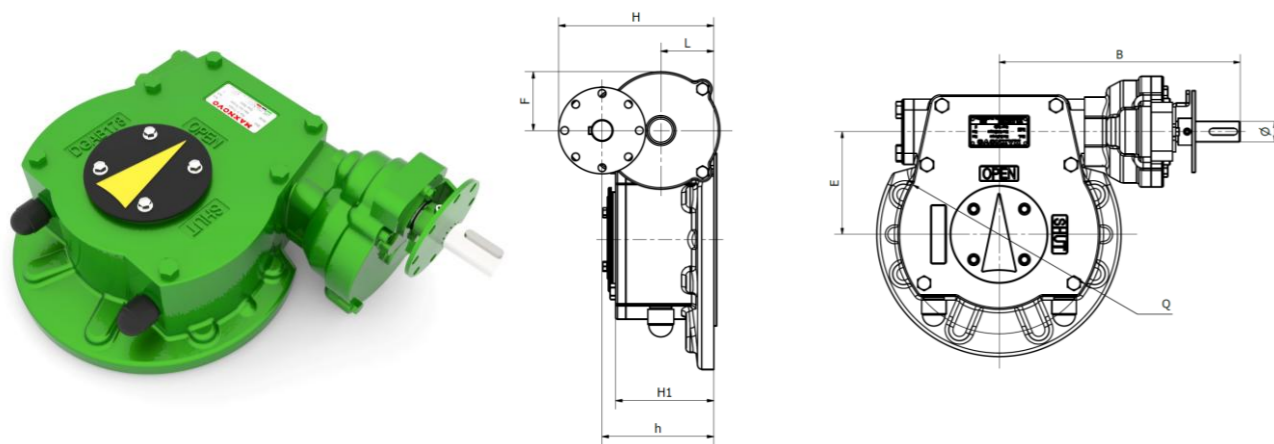
DGAB Series

Quarter Turn Gearbox – Complete Model List

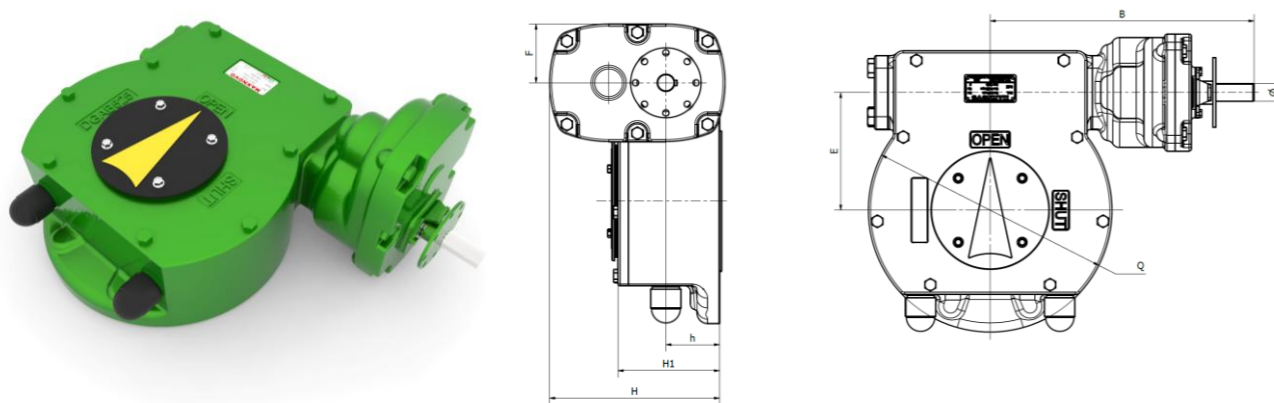
DGAB24 - DGAB36 - DGAB41 - DGAB47 - DGAB68



DGAB68B - DGAB178 - DGAB275



DGAB323 - DGAB525 - DGAB664/B - DGAB1086/B/C



- Output torque up to 58.000 Nm
- IP67 and IP68 available as option
- Easy to install and operate, maintenance free
- Ductile Iron housing, marinated duty option available on request
- Accessories available on request: Limit Switch, Locking Device, Chainwheels and Interlock

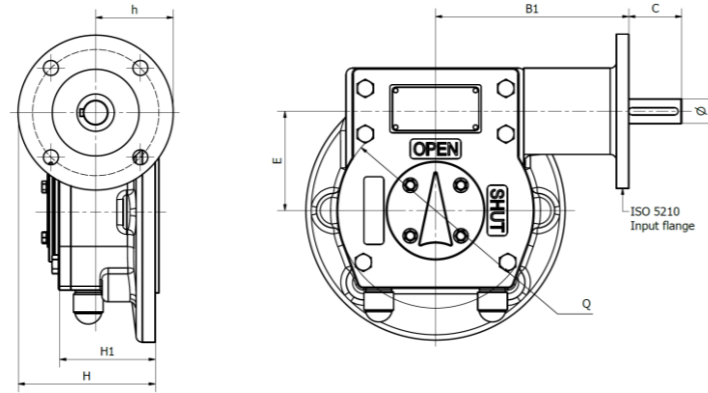
Model	ISO 5211 Output flange - Performance data							Outline dimensions									
	Flange Type/ External diameter	Ratio	Input torque	Maximum output torque	Mechanical Advantage +10%	Maximum stem shaft bore d	Maximum stem Height H1	E	Φ	B	F	H	h	Q	L	Handwheel diameter	Weight
			Nm	Nm		mm	mm										
DGAB24	F07/90 F10/125	24:1	56	400	7,2	28	61	44,5	15	144	30	71	31	91	-	250	4
DGAB36	F10/125 F12/150	36:1	68	750	11	35	73	61,5	18	154	31	83	41	121	-	320	6
DGAB41	F10/175 F12/175 F14/175 F16/210	41:1	102	1300	12,7	45	82	80,5	20	181	35	92	48	160	-	360	11
DGAB47	F12/175 F14/175 F16/210	47:1	125	1800	14,4	50	88	89,5	20	181	37,5	98	54	178	-	460	12
DGAB68	F14/210 F16/210 F20/255 F25/300	68:1	158	3000	19	70	99	126	25	200	50	109,5	59	245	-	600	24
DGAB68B	F14/210 F16/210 F20/255 F25/300	136:1	100	3800	38	70	99	126	25	263	50	154	104	245	47,5	460	28
DGAB178	F16/210 F25/300	178:1	135	6500	52	75	117	126	25	296	68	178,5	128,5	248	68	460	36
DGAB275	F25/300 F30/350	275:1	110	8500	77	95	137	138	25	318	92,5	209	159	264	92,5	600	63
DGAB323	F25/350 F30/350	323:1	123	11000	89	100	136	154,5	25	346	68,5	206,5	69	300	69	600	73
DGAB525	F25/350 F30/350	538:1	114	17000	149	110	148	169	25	379	84	241	76	350	84	600	89
DGAB664	F30/415 F35/415 F40/475	698:1	145	28000	193	130	178	230	25	417	90	272	94	468	90	600	146
DGAB664B	F30/415 F35/415 F40/475	1302:1	120	38000	316,7	130	178	230	30	454	150	374	94	468	139	600	175
DGAB1086	F35/475 F40/475 F48/560	1086:1	155	42000	271	160	201	276,5	30	472	116	342	106	559	116	600	229
DGAB1086B	F35/475 F40/475 F48/560	1258:1	142	48000	338	160	201	276,5	30	472	116	342	106	559	116	600	229
DGAB1086C	F35/475 F40/475 F48/560	1701:1	136	58000	427	160	201	276,5	30	525	162	410	106	559	151	600	260

DGAB D Series

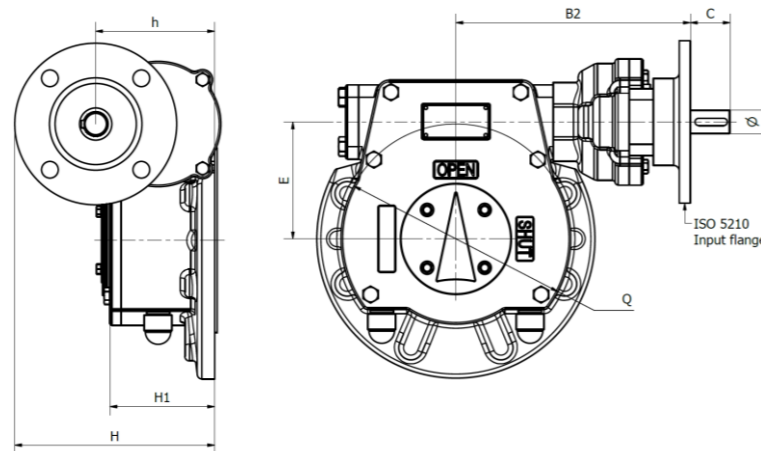
Quarter Turn Gearbox for Automation

Heavy-duty part-turn gearboxes suitable for ball, butterfly, plug valves serving oil & gas, water, power, chemical and demanding industrial application.

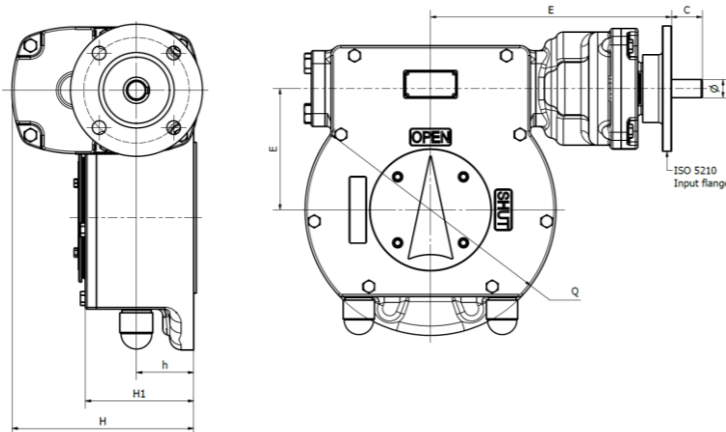
DGAB24D – DGAB68D



DGAB68BD - DGAB178D - DGAB275D



DGAB323D - DGAB525D - DGAB664/BD - DGAB1086/B/CD



DGAB D Series

Quarter Turn Gearbox– Complete Model List

- Output torque up to 49300 Nm
- IP67 and IP68 available as option
- Easy to install and operate, maintenance free
- Ductile Iron housing, marinated duty option available on request
- Customized gear ratios available upon request

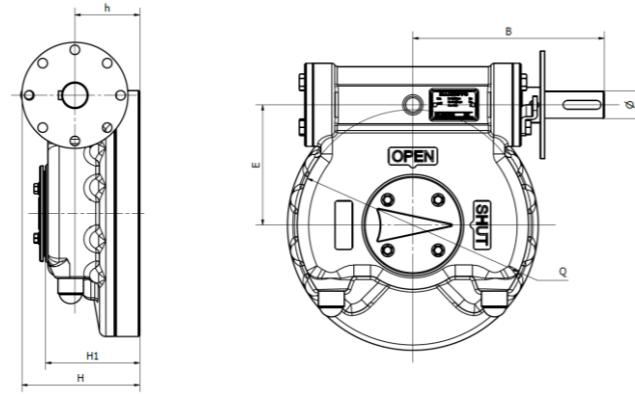
Model	Flange Type / External diameter	Ratio	ISO 5211 Output flange - Performance data						Input flange size ISO 5210					Outline dimensions			
			Input torque Nm	Maximum output torque Nm	Mechanical Advantage +10%	Maximum stem shaft bore d mm	Maximum stem Height H1 mm	E mm	Flange type	Ø mm	C mm	B1 mm	B2 mm	B3 mm	H mm	h mm	Q mm
DGAB24D	F07/90 F10/125	24:1	45	340	7,2	28	61	44,5	F10	15	38	106			93,5	31	91
DGAB36D	F10/125 F12/150	36:1	55	640	11	35	73	61,5	F10	18	37,5	116			103,5	41	121
DGAB41D	F10/175 F12/175 F14/175 F16/210	41:1	87	1100	12,7	45	82	80,5	F10 F14	20	35,5	145,5			110,5	48	160
DGAB47D	F12/175 F14/175 F16/210	47:1	100	1560	14,4	50	88	89,5	F10 F14	20	35,5	145,5			116,5 141,5	54	178
DGAB68D	F14/210 F16/210 F20/255 F25/300	68:1	140	3230	19	70	99	126	F14	25	45	168			136,5	59	245
		136:1	78		34				F10	25	43		220		166,5	104	
DGAB178D	F16/210 F25/300	51:1	355	5550	15,5	75	117	126	F14 F16	30	45	195			148,5 166	61	248
		178:1	103		53				F10 F14	25	43	253	253		191 216	128,5	
DGAB275D	F25/300 F30/350	55:1	487	7250	15,4	95	137	138	F16	35	53	239			174	69	264
		275:1	95		77				F10 F14	25	43			275	221,5 246,5	159	
DGAB323D	F25/350 F30/350	51:1	685	9350	14,3	100	136	154,5	F16 F25	35	53	237			174 219	69	300
		114:1	234		42				F14	30	45		291		225,5	138	
		323:1	109		90				F10 F14	25	43			303	202 202	69	
DGAB525D	F25/350 F30/350	46:1	1103	14450	13,6	110	148	169	F25	45	68	237			226	76	350
		145:1	338		40				F14 F16	35	45		324		244,5 262	157	
		538:1	102		147				F10 F14	25	43			336	241 241	76	
DGAB664D	F30/415 F35/415 F40/475	64:1	1223	23800	18	130	178	230	F30	50	75	279			269	94	468
		182:1	440		50				F16	35	53		392		287	182	
		698:1	117		188				F10 F14	25	43			374	272 272	94	
DGAB664BD	F30/415 F35/415 F40/475	54:1	2318	32300	13,1	130	178	230	F30	55	83	299			269	94	468
		228:1	549		55				F16	45	68		429		287	182	
		1303:1	96		317				F10 F14	30	43			412	272 272	94	
DGAB1086D	F35/475 F40/475 F48/560	67:1	1778	35700	18	160	201	276,5	F30	55	98	339			281	106	559
		268:1	445		72				F16	35	53		447		331	226	
		1086:1	110		392				F10 F14	30	43			429	342	106	
DGAB1086BD	F35/475 F40/475 F48/560	67:1	2328	40800	18	160	201	276,5	F35	65	98	339			314	106	559
		290:1	536		78				F16	45	68		447		331	226	
		1258:1	124		339				F10 F14	30	43			429	342	106	
DGAB1086CD	F35/475 F40/475 F48/560	58:1	3196	49300	14,5	160	201	276,5	F35	65	98	339			314	106	559
		271:1	684		68				F16	45	68		447		331	226	
		1701:1	109		427				F10 F14	30	43			429	342	106	

D6 Series

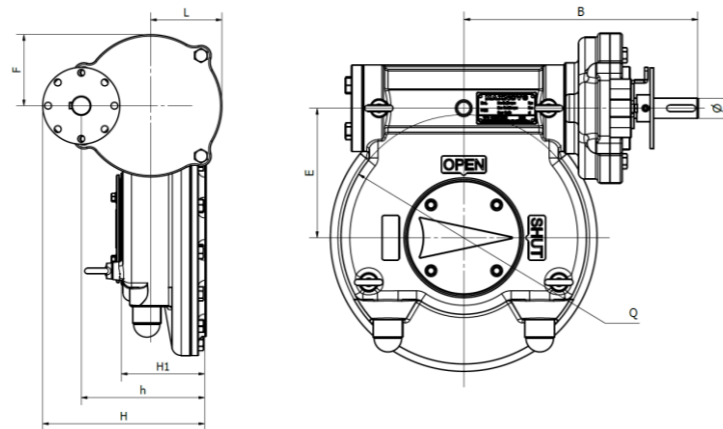
Quarter Turn Gearbox

Heavy-duty part-turn gearboxes suitable for ball, butterfly, plug valves serving oil & gas, water, power, chemical and demanding industrial application.

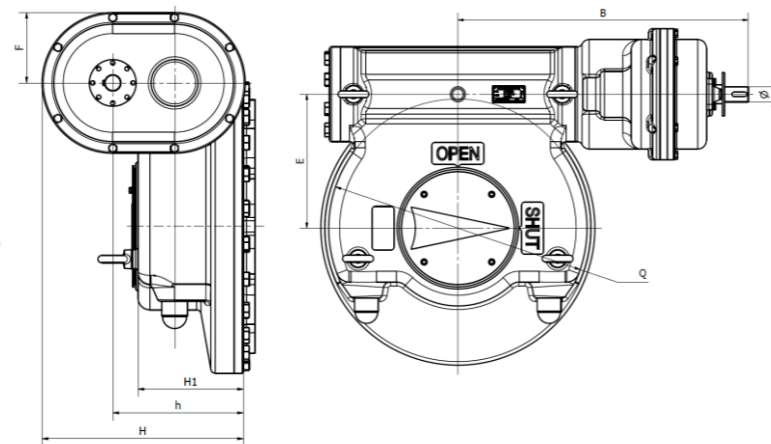
D603 – D604A



D604 – D605 – D606 – D607/A – D608



FROM D609 TO D618



D6 Series

Quarter Turn Gearbox – Complete Model List

- Output torque up to 1.000.000 Nm
- IP67 and IP68 available as option
- Easy to install and operate, maintenance free
- Ductile iron / Carbon Steel / Steel SS316 / Low Temperature Carbon Steel housing
- Accessories available on request: Limit Switch, Locking Device, Chainwheels and Interlock

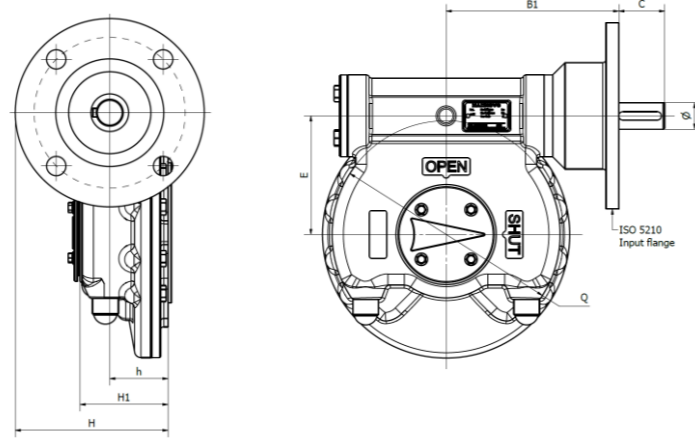
Model	ISO 5211 Output flangem performance data							Outline dimensions								
	Flange Type / External diameter	Ratio	Input torque	Maximum output torque	Mechanical Advnatage +10%	Maximum stem shaft bore d	Maximum stem Height H1	E	Φ	B	F	H	h	Q	L	Weight
			Nm	Nm		mm	mm									
D603	F12/210 F14/210 F16/210	60:1	133	2000	15	50	86	111,5	25	177	50	108	57	214	/	18,3
D604A	F14/255 F16/255 F20/300 F25/300	80:1	150	3000	20	70	110	145	25	203	50	125	75	273	/	38
D604	F14/255 F16/255 F20/300 F25/300	160:1	114	4500	39,4	70	110	145	25	277	59	170	120	273	59	30
D605	F16/255 F20/300 F25/300	335:1	100	8500	85	80	112	160	25	290	92,5	212	162	304	92,5	54
D606	F25/350 F30/350	729:1	80	15000	188	100	137	187,5	30	377	100	291	89	358	100	107
D607A	F25/350 F30/350	648:1	130	22000	170	120	150	202	30	401	100	302	97	384	100	136
D607	F25/350 F30/350	852:1	140	30000	214	120	150	202	30	406	115	329	97	384	115	124
D608	F30/415 F35/415	1303:1	117	42000	359	150	184	226	30	460	150	408	128	430	139	198
D609	F30/475 F35/475 F40/475	1584:1	125	55000	440	170	198	254	30	509	162	444	140	491	151	270
D610	F35/475 F40/475	2080:1	136	78000	573	190	240	279	35	633	145	429	284	536	145	353
D611	F35/560 F40/560 F48/560	2662:1	135	100000	741	190	258	308	35	668	151	455	304	594	151	430
D612	F48/560 F60/686	4354:1	124	140000	1129	240	281	380	35	690,5	192	438	399	722	227	680
D613	F48/560 F60/686	5526:1	125	180000	1440	280	321	450	35	755	254	488	444	828	254	1046
D614	F60/686 F80/900	12783:1	101	300000	2976	320	325	548	25	803,5	255,5	582,5	435	1019	216	1800
D615	F80/900 F100/1200	10852:1	163	450000	2757	400	370	640	35	1072	274	508	387	1200	274	2500
D616	F80/900 F100/1200	16755:1	143	600000	4196	400	436	688	35	1095	274	543	269	1282	274	2800
D617	F80/900 F100/1200	26518:1	120	800000	6667	400	504	705	35	1344	360	674	314	1316	360	3950
D618	F80/900 F100/1200	29262:1	143	1000000	6993	400	540	780	35	1394	360	692	332	1440	360	4750

D6 D Series

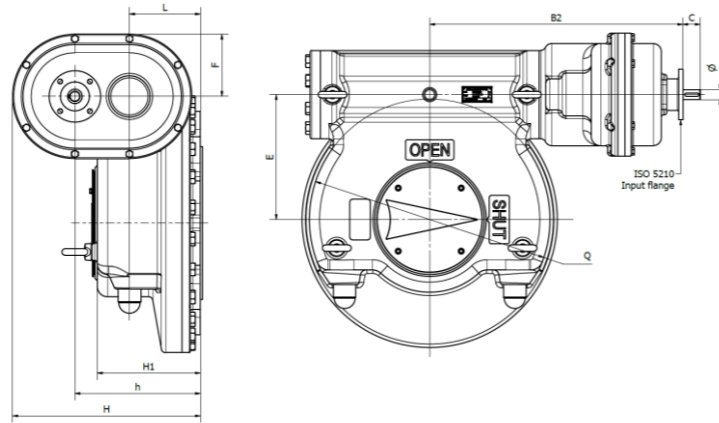
Quarter Turn Gearbox for Automation

Heavy-duty part-turn gearboxes suitable for ball, butterfly, plug valves serving oil & gas, water, power, chemical and demanding industrial application.

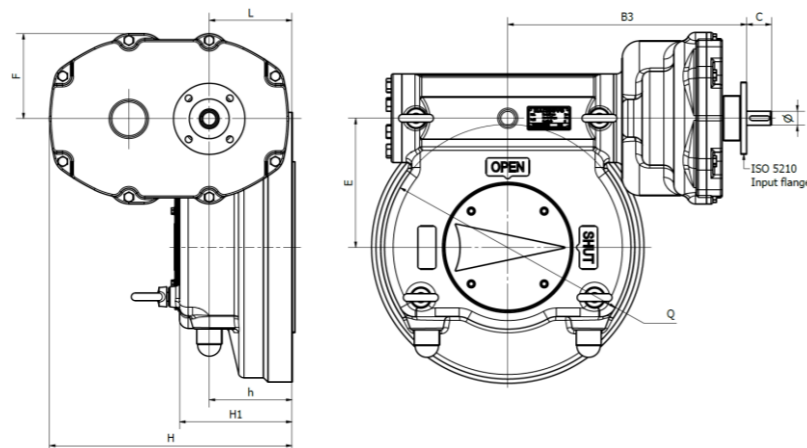
D603D – D604D



D604D – D605D – D606D – D607/AD – D608D



FROM D609D TO D615D



D6 D Series

Quarter Turn Gearbox for Automation – Complete Model List

- Output torque up to 850.000 Nm
- IP67 and IP68 available as option
- Easy to install and operate, maintenance free
- Ductile iron / Carbon Steel / Steel SS316 / Low Temperature Carbon Steel housing

Model	Flange Type / External diameter	Ratio	ISO 5211 Output flange - Performance data						Input flange size ISO 5210					Outline dimensions			
			Input torque Nm	Maximum output torque Nm	Mechanical Advnatage +10%	Maximum stem shaft bore d mm	Maximum stem Height H1 mm	E mm	Flange type	Ø mm	C mm	B1 mm	B2 mm	B3 mm	H mm	h mm	Q mm
D603D	F12/210 F14/210 F16/210	60:1	113	1700	15	50	86	111,5	F10 F14	25 43	43 162			119,5 144,5	57	214	
D604D	F14/255 F16/255 F20/300 F25/300	80:1	191	3825	20	70	110	145	F14	25	43	184		162,5	75	273	
		160:1	97		39,4				F10	25	43		234	182,5	120		
D605D	F14/255 F16/255 F20/300 F25/300	67:1	425	7225	17	80	112	160	F16	35	53	195		177	72	304	
		201:1	148		48,9				F10	25	43		247	249,5	162		
		335:1	85		85				F10	25	43		247	249,5	162		
D606D	F25/350 F30/350	63:1	787	12750	16,2	100	137	187,5	F16 F25	50 75	75 245			194 239	89	358	
		189:1	266		48				F14	30	45		321	278,5	191		
		729:1	68		188				F10	30	43		334	291	89		
D607AD	F25/350 F30/350	56:1	1281	18700	14,6	120	150	202	F30	50	75	257		272	97	384	
		168:1	425		44				F16	40	45		345	317	199		
		648:1	111		169				F10	25	43		358	329	97		
D607D	F25/350 F30/350	56:1	1809	25500	14,1	120	150	202	F30	50	75	257		272	97	384	
		186:1	543		47				F16	40	60		382	317	214		
		852:1	119		214				F10	25	43		363	329	97		
D608D	F30/415 F35/415	54:1	2412	35700	14,8	150	184	226	F30	65	98	300		303	128	430	
		228:1	567		63				F16	45	68		435	374	269		
		1303:1	99		359				F10	25	43		417	408	128		
D609D	F30/475 F35/475 F40/475	54:1	3117	46750	15	170	198	254	F35	65	98	328		348	140	491	
		252:1	668		70				F25	45	68		482,5	443	293		
		1584:1	106		440				F10	25	43		465	444	140		
D610D	F35/475 F40/475	52:1	4636	66300	14,3	190	240	279	F35	70	105	360		366	158	536	
		416:1	577		115				F16	45	68		528	429	158		
		2080:1	116		573				F10	25	43		590	429	284		
D611D	F35/560 F40/560 F48/560	52:1	5862	85000	14,5	190	258	308	F40	80	120	380		410	172	594	
		503:1	607		140				F16	45	68		563	455	172		
		2662:1	115		741				F10	25	43		625	455	304		
D612D	F48/560 F60/686	64:1	7169	119000	16,6	240	281	380	F40	95	143	411		438	183	722	
		316:1	1451		82				F30	50	75		586	358	183		
		4354:1	105		1129				F14	35	43		648	429	336		
D613D	F48/560 F60/686	61:1	9684	153000	15,8	280	321	450	F40	110	165	476		441	204	828	
		434:1	1366		112				F30	50	75		661,5	379	204		
		5526:1	106		1440				F14	35	43		712	462	384		
D614D	F60/686 F80/900	64:1	15938	255000	16	320	325	548	F48	120	180	500		485	205	1020	
		316:1	3228		79				F35	80	120		805	461	205		
		2530:1	403		632				F14	35	43		875	522	435		
		12783:1	86		2965				F10	25	41		982	522	435		
D615D	F80/900 F100/1200	66:1	23182	382500	16,5	400	370	640	F60	150	225	620		577	234	1200	
		232:1	6595		58				F40	100	150		940	508	234		
		1147:1	1333		287				F30	50	75		980	508	234		
		10852:1	141		2707				F14	35	43		1029	508	387		
D616D	F80/900 F100/1200	72:1	25527	510000	20	400	436	688	To be requested							1282	
		253:1	7640		67												
		1804:1	1129		452												
		16755:1	122		4196												
		58:1	39982		17												
D617D	F80/900 F100/1200	161:1	15136	680000	45	400	504	705	To be requested							1316	
		567:1	4530		150												
		2803:1	965		705												
		26518:1	102		6667												
		64:1	47648		17,8												
D618D	F80/900 F100/1200	178:1	18040	850000	47	400	540	780	To be requested							1440	
		626:1	5400		157												
		3093:1	1150		739												
		29262:1	122		6993												
		64:1	47648		17,8												